

STARLAB® Shape-Up Program

Dome Repairs (Classic Starlab Only)

We provide four levels of repairs to domes at standard costs. If your specific needs are not included, please call for a custom repair quote. The diagram attached to this form shows all the seams on the STARLAB dome. Please use it to specify specific tears or holes, if any, on your dome.

Please add **\$130.00 for a Standard Dome or \$200.00 for a Giant Dome for shipping and insurance** charges for each dome repair (continental USA only). Shipping charges outside the continental USA must be quoted separately.

	<u>Standard</u>	<u>Giant</u>
SLR-01 Level 1 Dome Service	\$700	\$1,050

Includes: Inspection of dome, minor patching to cuts and tears, repair of snaps on the inflation tube and patching of larger holes above the horizon

Recommended for: domes 3 to 5 years old or those with relatively light use (5,000 visits per year)

SLR-02 Level 2 Dome Service	\$900	\$1,350
------------------------------------	--------------	----------------

Includes: Regluing and patching of entry tube seams

- All Level 1 Services listed above

Recommended for: domes 5 to 8 years old or those with moderate use (10,000 visits per year)

SLR-03 Level 3 Dome Service	\$1,450	\$2,175
------------------------------------	----------------	----------------

Includes: Repair or replacement of doorway section

- All Level 1 and 2 Services listed above

Recommended for: domes 8 years old or those with moderate to heavy use (20,000 visits per year)

SLR-04 Level 4 Dome Service	\$2,250	\$3,375
------------------------------------	----------------	----------------

Includes: Repair and replacement to edge of dome floor (addition of a new reinforcement strip)

- All Level 1, 2 and 3 Services listed above

Recommended for: domes 10 years old or older or those with moderate to heavy use (40,000 visits per year)



Projector Repairs

Please add **\$130 for shipping and insurance** for each projector. We highly recommend returning the projector in its case to help protect it. *Projector maintenance is recommended every 3 to 5 years.*

SLR-21 Standard Projector (SL-131)

Inspection & Cleaning**\$250**

Includes: Inspection of the projector, cleaning, lubrication, adjustment of the set screws, inspection of electrical connections

SLR-22 Standard Projector (SL-131)

Maintenance & Tune Up.....**\$550**

Includes: Replace projector drive motor, lamp housing and drive belt

Plus, all inspection and cleaning services listed for **SLR-21**

SLR-27 LED Projector (SL-136)

Inspection, Maintenance & Tune-Up.....

\$799

Includes: Inspection of projector, cleaning, lubrication, and replacement of main LED lamp

SLR-28 LED Projector (SL-136)

Inspection, Maintenance & Tune-Up Level 2.....

\$1,199

Includes: Replace projector drive motor, cardinal points lamp and meridian lamp

Plus, all inspection and cleaning services listed for SLR-27

SLR-20 Standard Projector (SL-131)

Upgrade & Retrofit.....**\$2,495**

Includes: Inspection of the projector, cleaning, and upgrading the main lamp to an LED light source

Questions?

Please call **800-875-3214** or
e-mail starlab@starlab.com

Check list before shipping:

- Please call for an **RMA** (Return Authorization Number) before sending any equipment for repair. This will expedite repairs
- Roll up your dome into its bag and box for shipment. Do not ship in the dome bag itself or the dome may be damaged.
- If shipping your projector in a cardboard box, make sure it is well padded with bubble pack. Do not use packing peanuts because they shift too much in handling.
- We strongly recommend **insurance** for your projector, dome and cylinder when shipping these items to us.
- Before shipping, complete and fax this form to us. Also include a copy with your equipment.

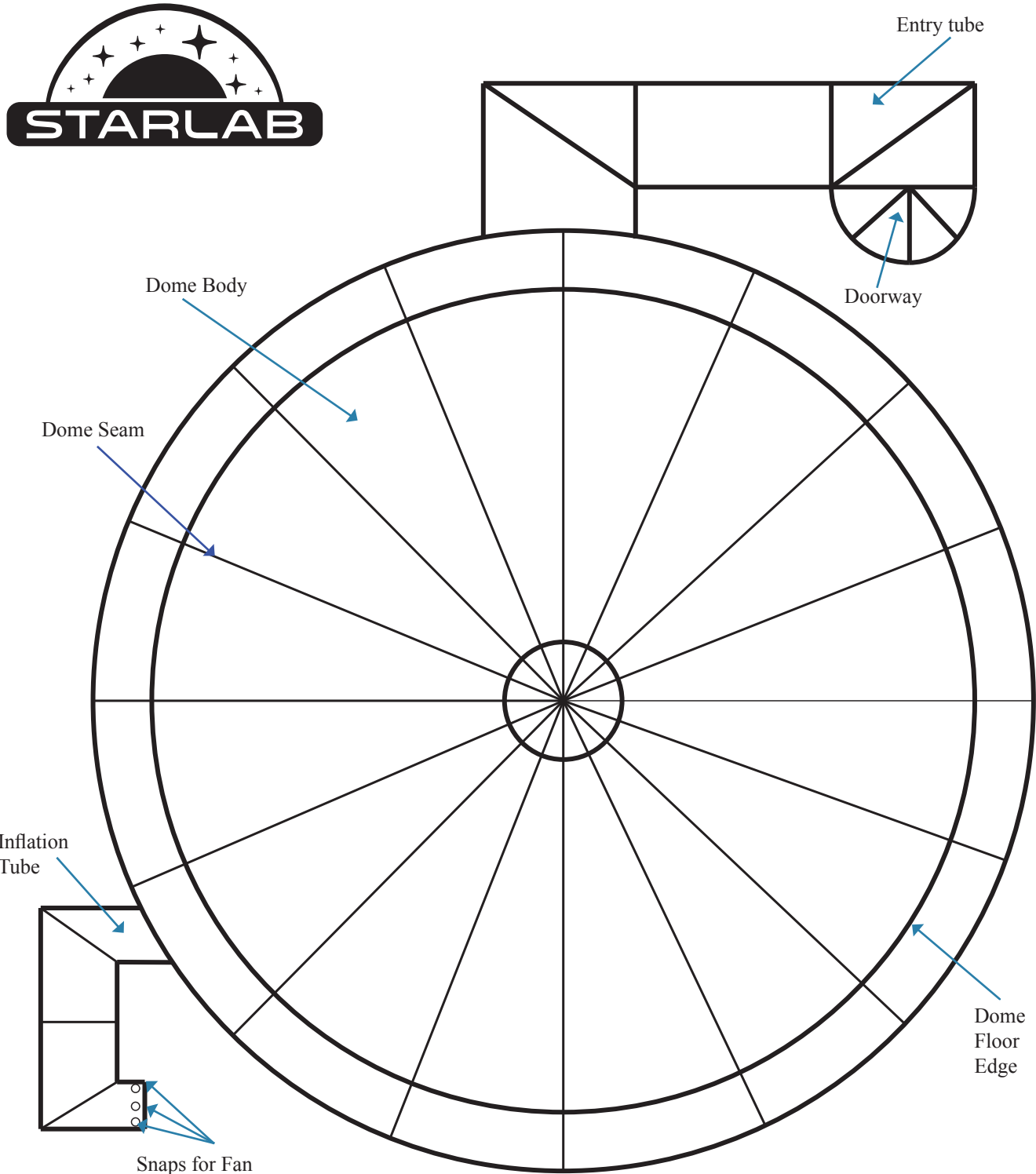
STARLAB® • 86475 Gene Lasserre Blvd, Yulee, FL 32097 • 800-875-3214

www.starlab.com • starlab@starlab.com

STARLAB® Shape-Up Dome Repair

The diagram below shows all the seams on the Classic STARLAB® Dome. Please use a red pen to specify particular tears or holes as accurately as possible. Lines represent seams on the dome. Inside circle indicates edge of the dome floor.

Note: digital dome repairs must be quoted on an individual basis.



STARLAB® Shape-Up Order Form

Please call 800-875-3214 for an RMA (Return Authorization Number) or fax this form to 904-225-2228 before shipping. Do not ship equipment without an RMA. Include a copy of this form with your shipment.

Date: _____	PO Number: _____
RMA #: _____	Requested Return Date: _____

Ship equipment to: Science First®/ STARLAB®, 86475 Gene Lassere Blvd Yulee FL 32097
Please make sure to include your contact information and return address!

Bill To:

Contact: _____

Institute: _____

Address: _____

City, State, Zip

Phone: _____ FAX: _____

E-mail: _____

Ship To (if different):

Contact: _____

Institute: _____

Address: _____

City, State, Zip

Phone: _____ FAX: _____

E-mail: _____

Customers outside the continental USA please contact us for a return shipping quote. Please refer to Page 1 for service details.

Item #	Description	Quantity	Price
SLR-01	Level 1 - Standard Dome Service	_____	\$700.00
SLR-01G	Level 1 - Giant Dome Service	_____	\$1,050.00
SLR-02	Level 2 - Standard Dome Service	_____	\$900.00
SLR-02G	Level 2 - Giant Dome Service	_____	\$1,350.00
SLR-03	Level 3 - Standard Dome Service	_____	\$1,450.00
SLR-03G	Level 3 - Giant Dome Service	_____	\$2,175.00
SLR-04	Level 4 - Standard Dome Service	_____	\$2,250.00
SLR-04G	Level 4 - Giant Dome Service	_____	\$3,375.00
SLR-21	Standard Projector - Inspection & Cleaning	_____	\$250.00
SLR-22	Standard Projector - Maintenance & Tune-up	_____	\$550.00
SLR-20	Standard Projector - Retrofit	_____	\$2,495.00
SLR-27	LED Projector - Inspection, Maintenance & Tune-up	_____	\$799.00
SLR-28	LED Projector Tune-up Level 2	_____	\$1,199.00
	Charge per Standard Dome - Return Shipping (Continental USA).....	_____	\$130.00
	Charge per Giant Dome - Return Shipping (Continental USA)	_____	\$200.00
	Charge per Projector - Return Shipping (Continental USA)	_____	\$130.00
⇒ Total			

